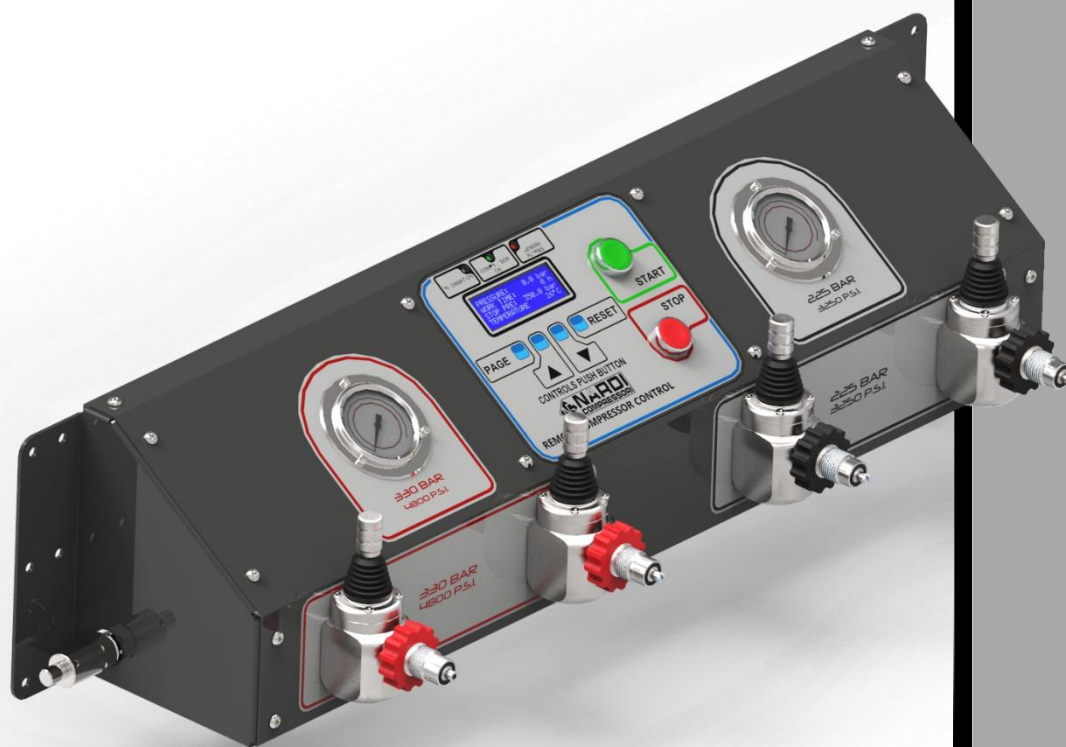


NARDI **COMPRESSORI** **HIGH PRESSURE**

Quality System Certified

ISO 9001:2015



High-Pressure ACCESSORIES

Catalogue

The filtering systems and cartridges manufactured by NARDI COMPRESSORI have been designed and produced to optimize their efficiency and for maximum safety during their use.

The duty of the NARDI COMPRESSORI extensive filter and cartridge range is to purify air and any compressed gases, to remove water and oil remains and any odors that might pass through mechanical separators. These filters are equipped with an extra mechanical separator which spin-dries air and eliminates liquids prior to entry in the filter intake.

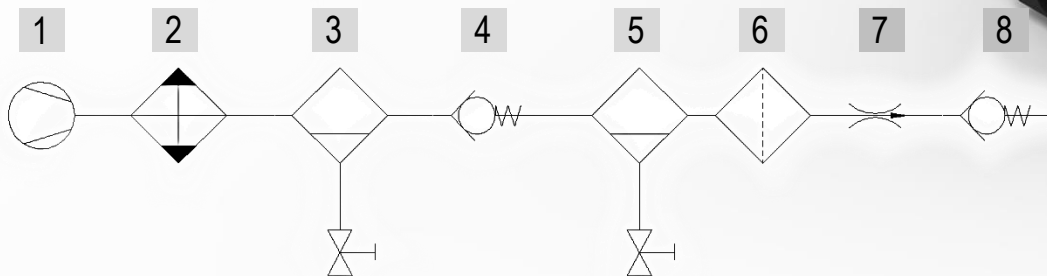
All filters have a maintenance valve to ensure maximum contact of gases with the absorbing materials, this procedure guarantees conformity with breathing air restrictions DIN EN 12021:2014.

The cartridge body is completely built in aluminum, it contains two felt disks to remove larger particles, a molecular sieve to discharge water vapor, activated carbon to eliminate oil vapors and odors and hopcalite (optional) to convert CO to CO₂.

All cartridges go through a decontamination process, they are sealed and vacuum-packed to ensure integrity of the drying material from any external agents over the time.

Utilizing original NARDI COMPRESSORI accessories is a must!

1. Compressor
2. After cooler
3. Separator
4. Check valve
5. Separator in filter
6. Filter cartridge
7. Pressure maintaining valve
8. Check valve



FUNCTIONS OF THE NARDI FILTERING-SYSTEM

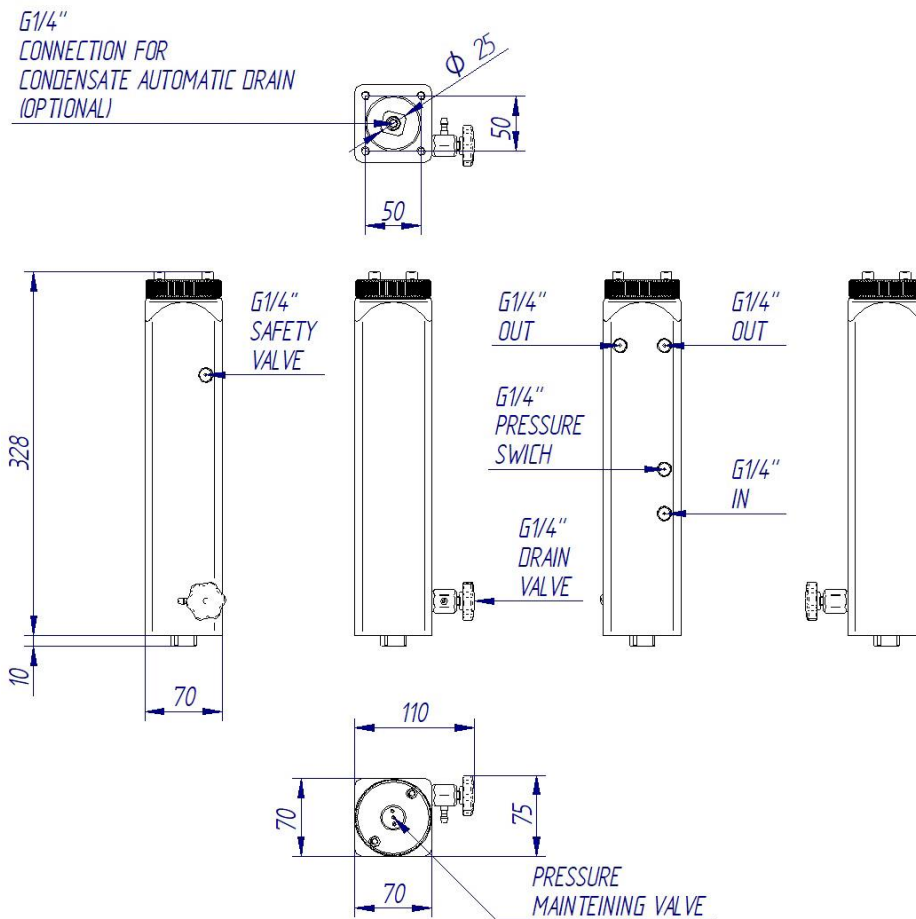
The filtering system is used to purify gases and compressed air in high pressure from any contaminants such as water, oil, odors and other particles.

The NARDI filtering-system guarantees limit values within EN 12021 and EN 8573-1 standards for breathing air and other gases for industrial and professional use.



MODEL	PRESSURE RANGE	FREE AIR CAPACITY
ATL	90/350 BAR – 1300/ 5000 psi	160 l/min – 9,6 m ³ /h – 6 cfm
PAC1	90/425 BAR – 1300/ 6160 psi	500 l/min – 30 m ³ /h – 17.5 cfm
PAC2	90/425 BAR – 1300/ 6160 psi	1000 l/min – 60 m ³ /h – 35 cfm
PAC3	90/425 BAR – 1300/ 6160 psi	1000 l/min – 60 m ³ /h – 35 cfm
PAC3 + PAC3	90/425 BAR – 1300/ 6160 psi	2000 l/min – 120 m ³ /h – 70 cfm

ATL FILTERING-SYSTEM



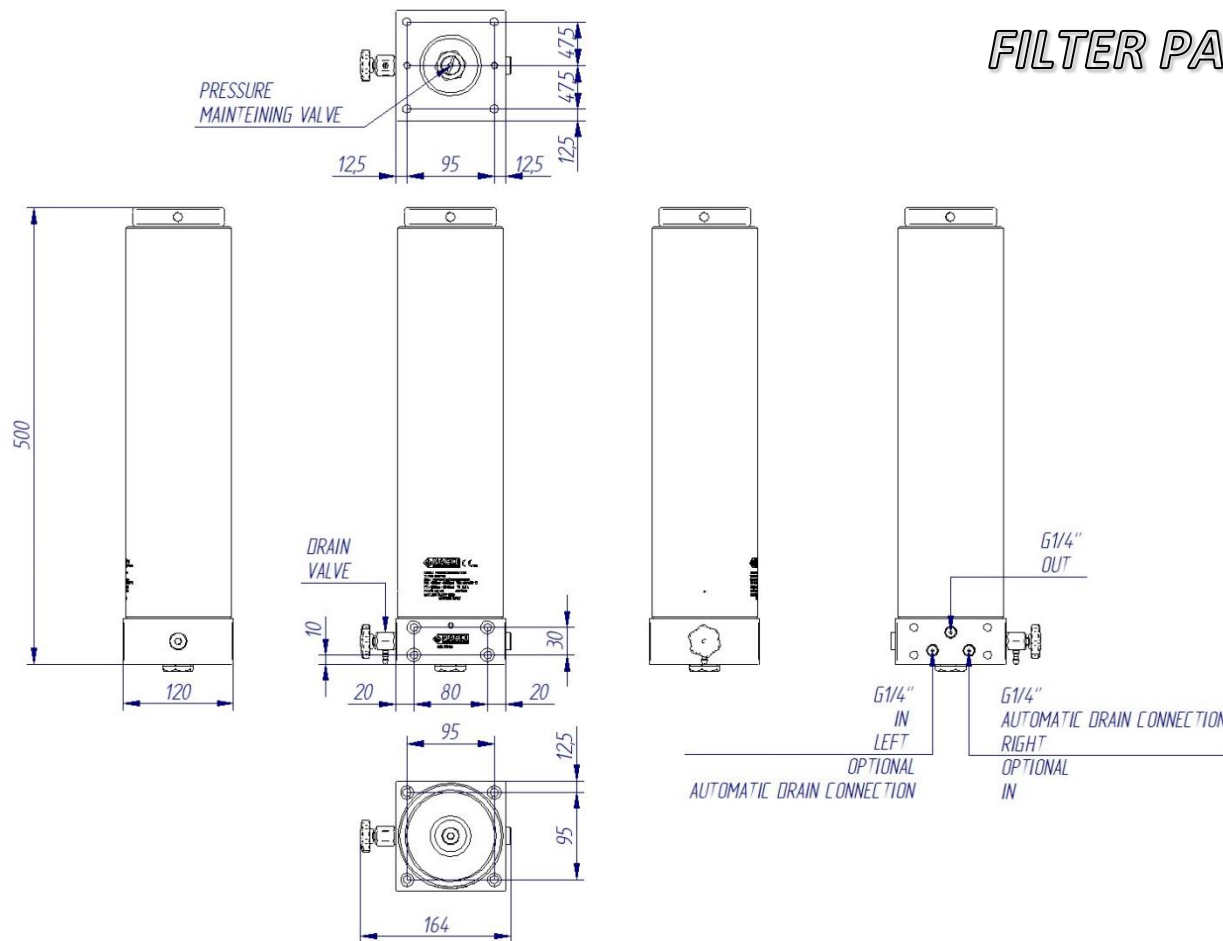
FILTER	DESCRIPTION	CODE	PRICE
ATL	Filter tower ATL without cartridge for manual condensate drain	AT148-105	--,- €
ATL	Filter tower ATL without cartridge for automatic condensate drain	AT148-106	--,- €

CARTRIDGE	DESCRIPTION	CODE	PRICE
ATL ELET	Cartridge for ATLANTIC electric with MC-AC	AT149-101	--,- €
ATL GASOL	Cartridge for ATLANTIC gasoline with MC-AC-HO	AT149-102	--,- €

MC moulecular sieve - AC activated carbon - HO hopcalite (CO converter)

MADE IN ITALY BY NARDI COMPRESSORI

FILTER PAC1

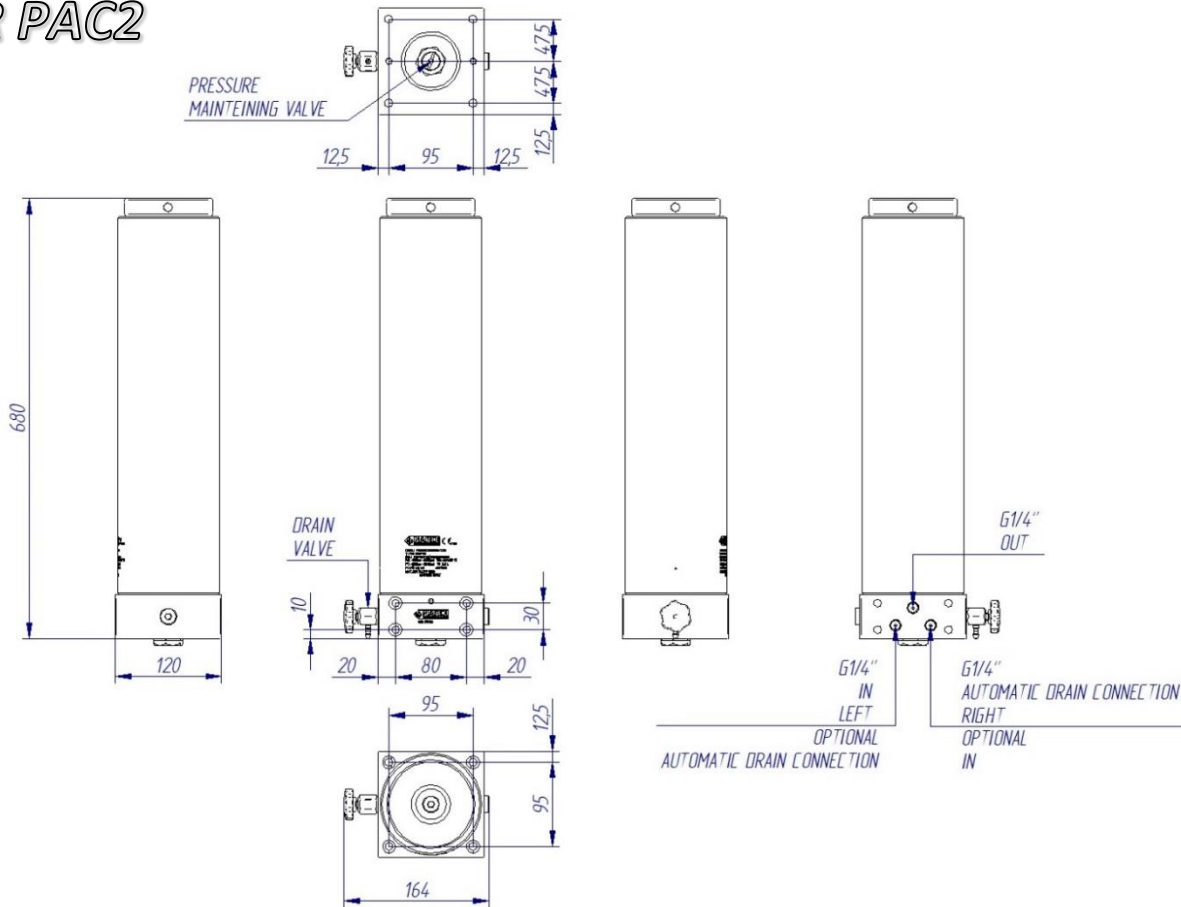


FILTER	DESCRIPTION	CODE	PRICE
PAC1	Filter Tower PAC1 without cartridge with INLET on the LEFT and with maintaining pressure valve, PED CERTIFIED	PA100-181	--,-- €
PAC1	Filter Tower PAC1 without cartridge with INLET on the RIGHT and with maintaining pressure valve, PED CERTIFIED	PA100-182	--,-- €
PAC1	Filter Tower PAC1 without cartridge with INLET on the LEFT and without maintaining pressure valve, PED CERTIFIED	PA100-183	--,-- €
PAC1	Filter Tower PAC1 without cartridge with INLET on the RIGHT and without maintaining pressure valve, PED CERTIFIED	PA100-184	--,-- €

CARTRIDGE	DESCRIPTION	CODE	PRICE
PAC1 ELET	Cartridge for PAC1 electric with MC-AC	PA100-101	--,-- €
PAC1 GASOL	Cartridge for PAC1 gasoline with MC-AC-HO	PA100-102	--,-- €
PAC1 IND	Cartridge for PAC1 industrial with MC-AC	PA100-103	--,-- €

MC moulecular sieve - AC activated carbon - HO hopcalite (CO converter)

FILTER PAC2



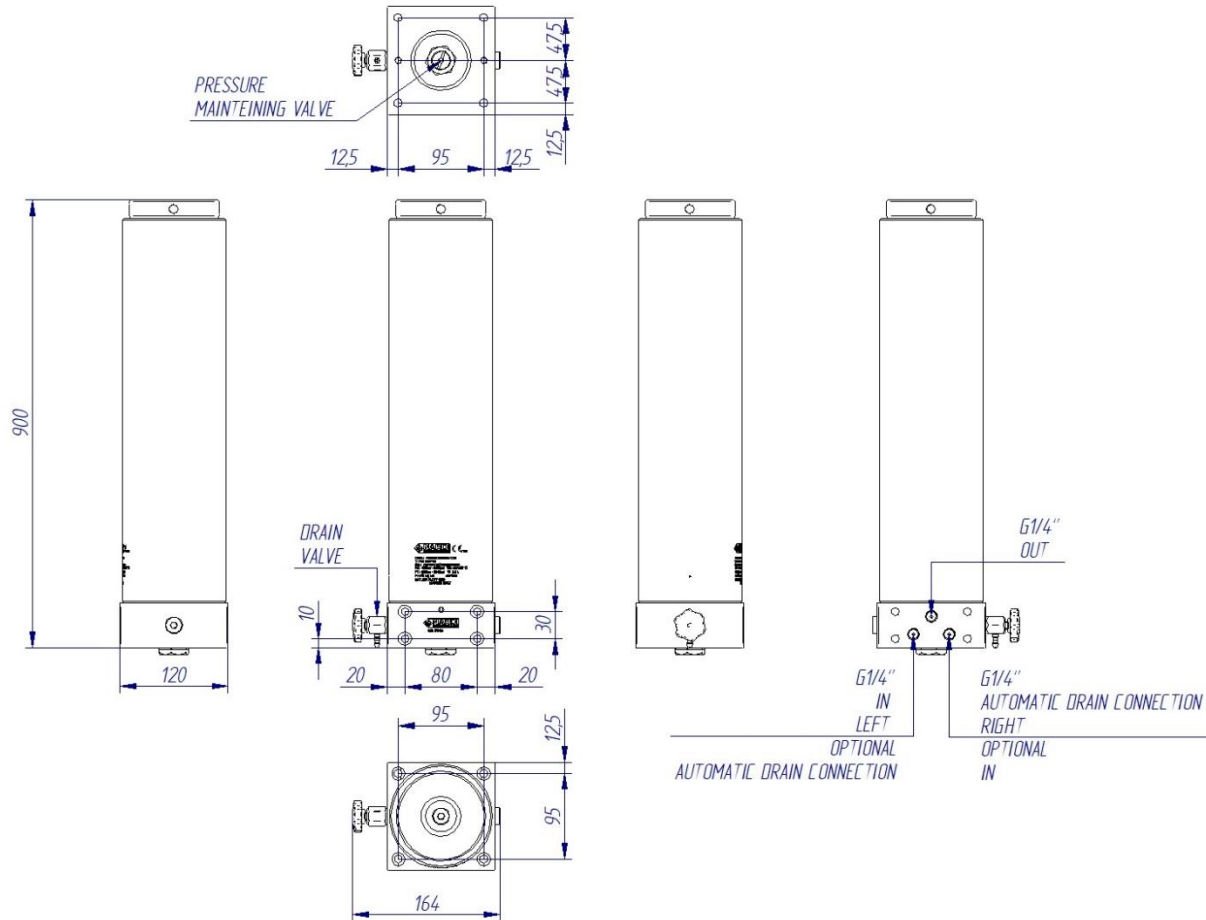
FILTER	DESCRIPTION	CODE	PRICE
PAC2	Filter Tower PAC2 without cartridge with INLET on the LEFT and with maintaining pressure valve, PED CERTIFIED	PA100-281	--,-- €
PAC2	Filter Tower PAC2 without cartridge with INLET on the RIGHT and with maintaining pressure valve, PED CERTIFIED	PA100-282	--,-- €
PAC2	Filter Tower PAC2 without cartridge with INLET on the LEFT and without maintaining pressure valve, PED CERTIFIED	PA100-283	--,-- €
PAC2	Filter Tower PAC2 without cartridge with INLET on the RIGHT and without maintaining pressure valve, PED CERTIFIED	PA100-284	--,-- €

CARTRIDGE	DESCRIPTION	CODE	PRICE
PAC2 ELET	Cartridge for PAC2 electric with MC-AC	PA100-201	--,-- €
PAC2 GASOL	Cartridge for PAC2 gasoline with MC-AC-HO	PA100-202	--,-- €
PAC2 IND	Cartridge for PAC2 industrial with MC-AC	PA100-205	--,-- €

MC moulecular sieve - AC activated carbon - HO hopcalite (CO converter)

MADE IN ITALY BY NARDI COMPRESSORI

FILTER PAC3

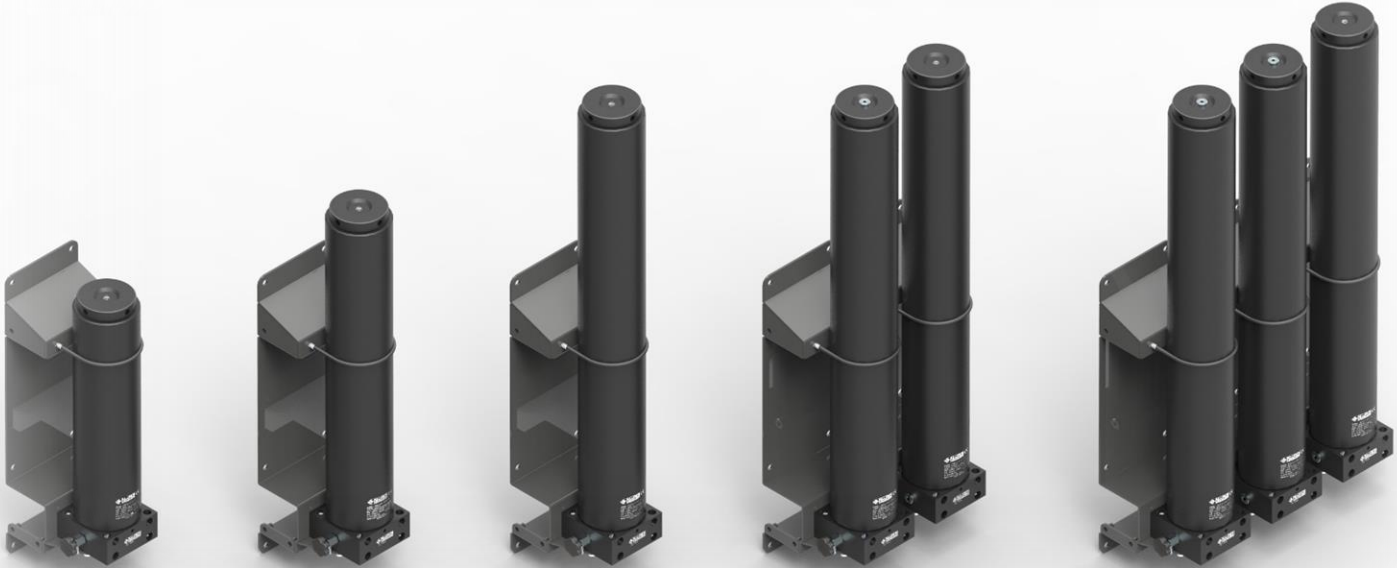


FILTER	DESCRIPTION	CODE	PRICE
PAC3	Filter Tower PAC3 without cartridge with INLET on the LEFT and with maintaining pressure valve, PED CERTIFIED	PA100-381	--,- €
PAC3	Filter Tower PAC3 without cartridge with INLET on the RIGHT and with maintaining pressure valve, PED CERTIFIED	PA100-382	--,- €
PAC3	Filter Tower PAC3 without cartridge with INLET on the LEFT and without maintaining pressure valve, PED CERTIFIED	PA100-383	--,- €
PAC3	Filter Tower PAC3 without cartridge with INLET on the RIGHT and without maintaining pressure valve, PED CERTIFIED	PA100-384	--,- €

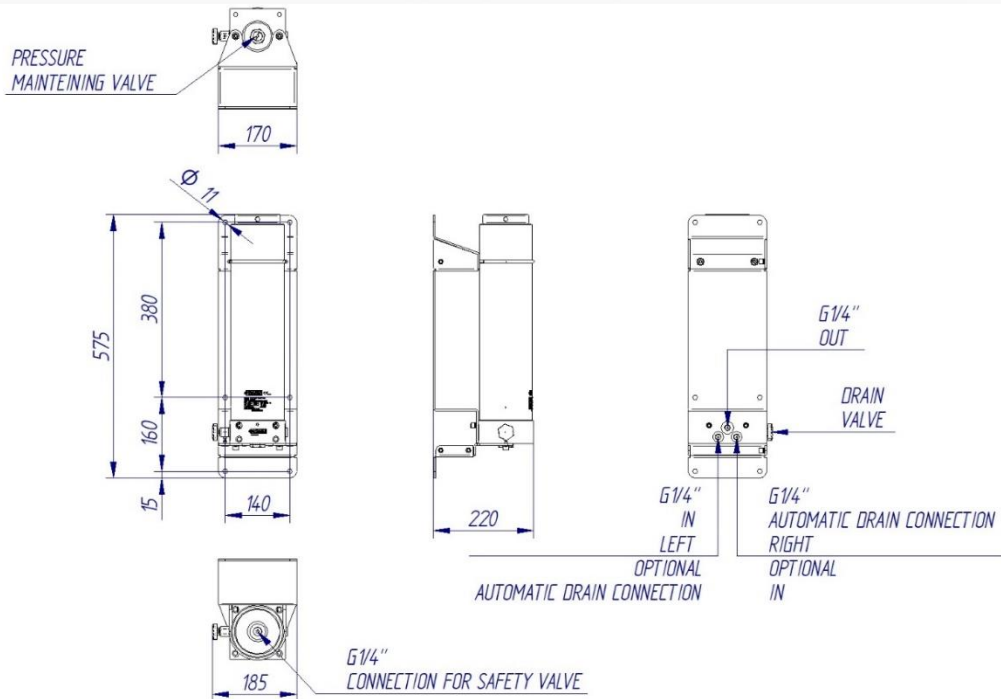
CARTRIDGE	DESCRIPTION	CODE	PRICE
PAC3 ELET	Cartridge for PAC3 electric with MC-AC	PA100-301	--,- €
PAC3 GASOL	Cartridge for PAC3 gasoline with MC-AC-HO	PA100-302	--,- €
PAC3 IND	Cartridge for PAC3 industrial with MC-AC	PA100-305	--,- €

MC molecular sieve - AC activated carbon - HO hopcalite (CO converter)

PAC FILTER WALL MOUNTING SYSTEM



WALL MOUNTING PAC1

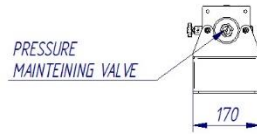


FILTER	DESCRIPTION	CODE	PRICE
PAC1	Filter Tower PAC1 with wall mounting system without cartridge with INLET on the LEFT, with maintaining pressure valve, PED CERTIFIED	PA100-191	--,- €
PAC1	Filter Tower PAC1 with wall mounting system without cartridge with INLET on the RIGHT, with maintaining pressure valve, PED CERTIFIED	PA100-192	--,- €
PAC1	Filter Tower PAC1 for NATURAL GAS with wall mounting system without cartridge with INLET on the RIGHT, with maintaining pressure valve, PED CERTIFIED	PA100-194	--,- €

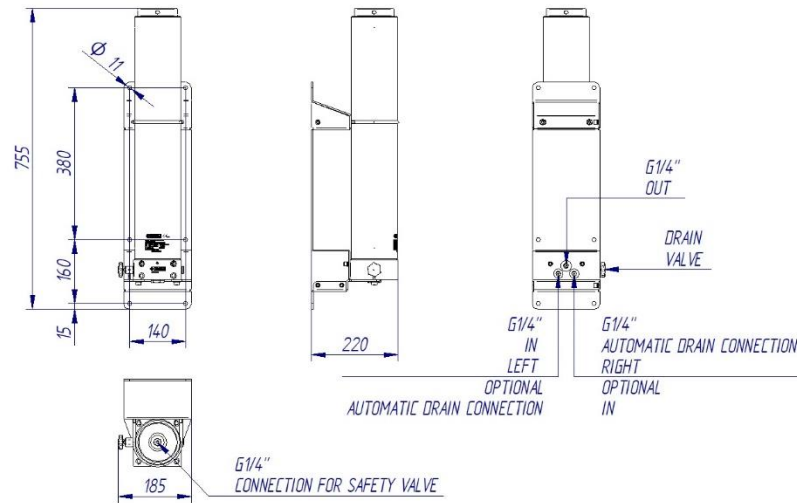
SUPPLIED WITHOUT SAFETY VALVE

MADE IN ITALY BY NARDI COMPRESSORI

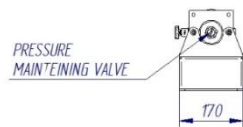
PURIFICATION SYSTEM



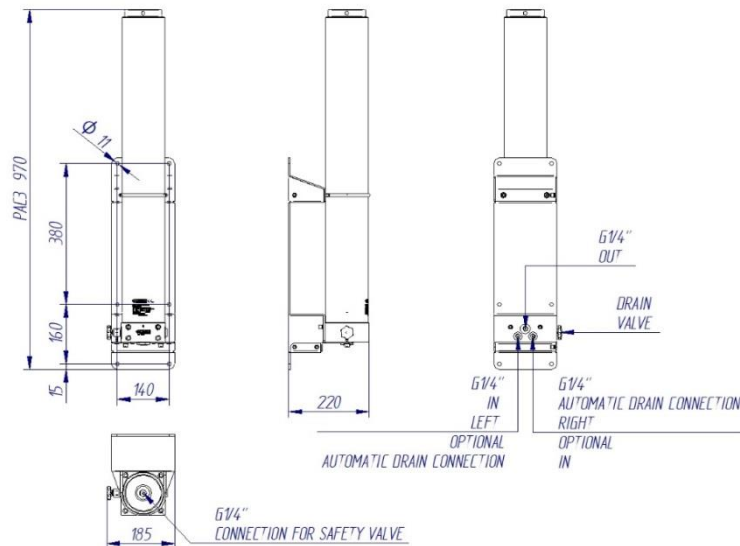
WALL MOUNTING PAC2



FILTER	DESCRIPTION	CODE	PRICE
PAC2	Filter Tower PAC2 with wall mounting system without cartridge with INLET on the LEFT, with maintaining pressure valve, PED CERTIFIED	PA100-291	--,- €
PAC2	Filter Tower PAC2 with wall mounting system without cartridge with INLET on the RIGHT, with maintaining pressure valve, PED CERTIFIED	PA100-292	--,- €



WALL MOUNTING PAC3

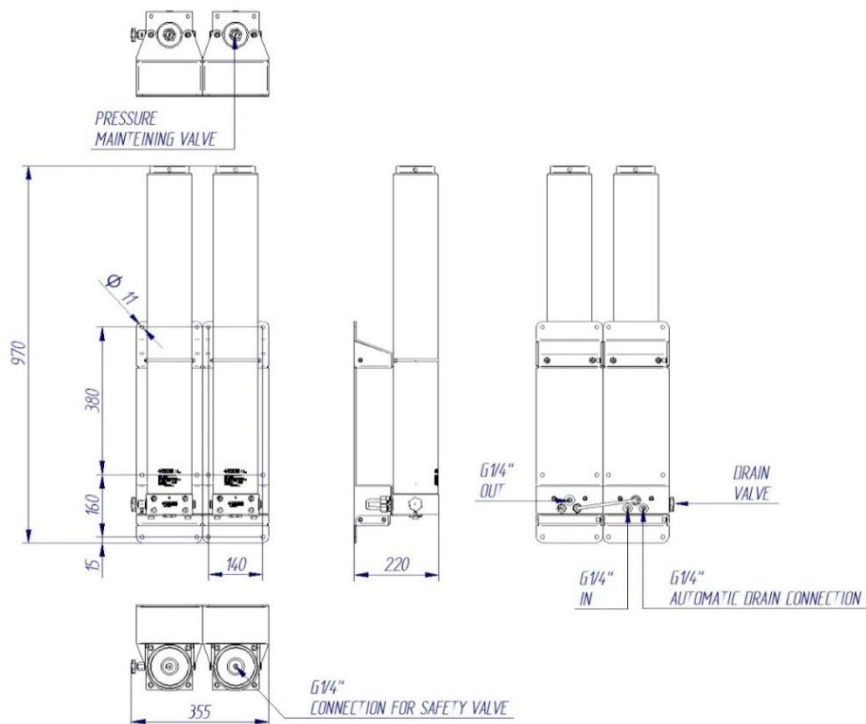


FILTER	DESCRIPTION	CODE	PRICE
PAC3	Filter Tower PAC3 with wall mounting system without cartridge with INLET on the LEFT, with maintaining pressure valve, PED CERTIFIED	PA100-391	--,- €
PAC3	Filter Tower PAC3 with wall mounting system without cartridge with INLET on the RIGHT, with maintaining pressure valve, PED CERTIFIED	PA100-392	--,- €

SUPPLIED WITHOUT SAFETY VALVE

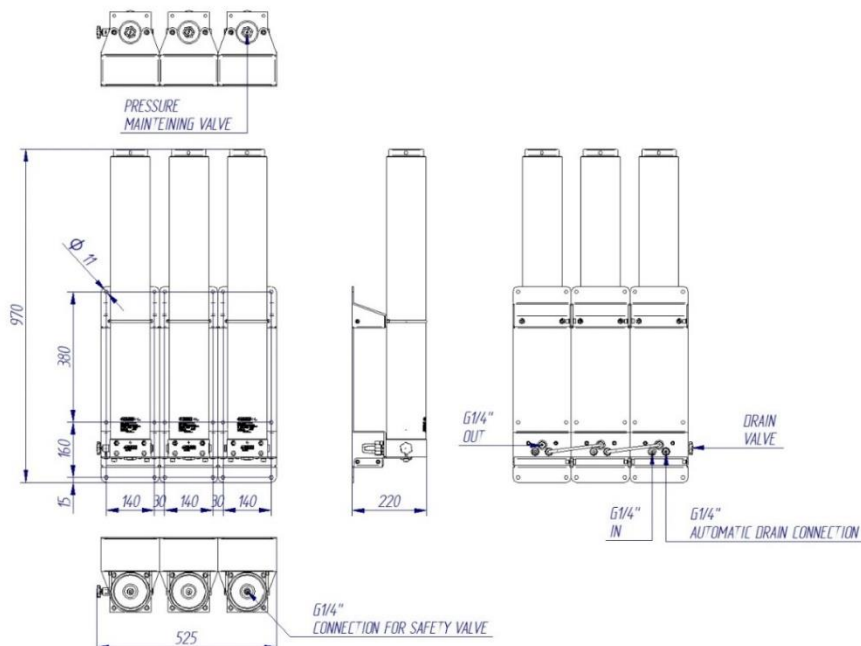
MADE IN ITALY BY NARDI COMPRESSORI

WALL MOUNTING PAC3 x 2



FILTER	DESCRIPTION	CODE	PRICE
PAC3+PAC3	2 Filter Towers PAC3 with wall mounting system without cartridge with INLET on the LEFT, with maintaining pressure valve, PED CERTIFIED	PA100-394	--,-- €

WALL MOUNTING PAC3 x 3

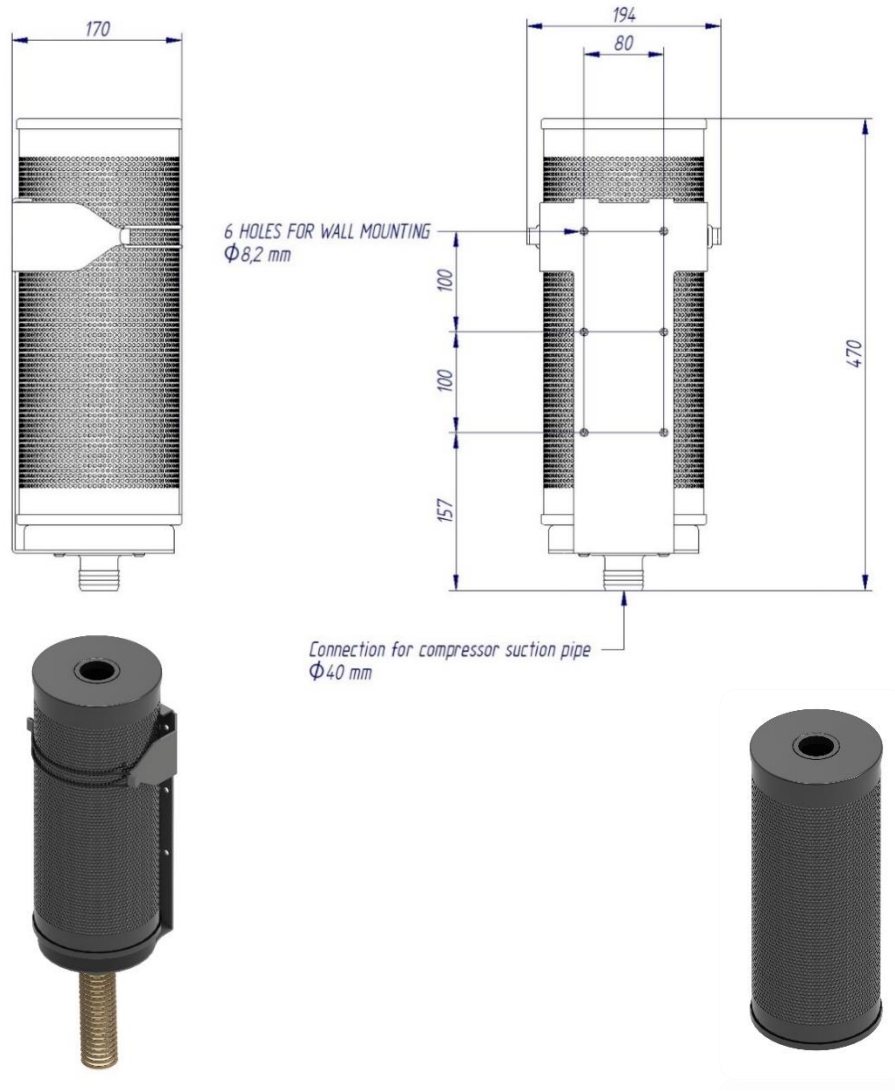


FILTER	DESCRIPTION	CODE	PRICE
PAC3+PAC3+PAC3	3 Filter Towers PAC3 with wall mounting system without cartridge with INLET on the LEFT, with maintaining pressure valve, PED CERTIFIED	PA100-396	--,-- €

SUPPLIED WITHOUT SAFETY VALVE

MADE IN ITALY BY NARDI COMPRESSORI

CO₂ REDUCER



DESCRIPTION	CODE	PRICE	DESCRIPTION	CODE	PRICE
Filter CO2 Reducer complete with support	PA100-550	--,-- €	Cartridge for CO2 Reducer	PA100-555	--,-- €

DESCRIPTION	CODE	PRICE
Kit for hooking up CO2 reducer The kit includes: outlet connections for CO2 reducer, inlet connection for compressor, tube and clamps	PA100-558	--,-- €

TECHNICAL DATA

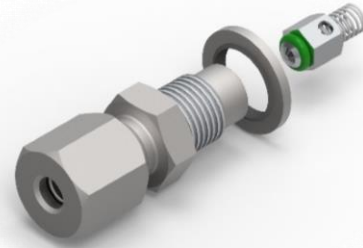
Air Flow	50 - 700 L/min	1,7 - 25 CFM	Lifetime	25 - 300 h approx.
Environment temp.	+15°C +45°C	+60°F +113°F		

MADE IN ITALY BY NARDI COMPRESSORI

COMPONENTS FOR FILTERING SYSTEM



DESCRIPTION	CODE	PRICE
Filter connection G1/4" for tube ϕ 6 mm (without washer)	PA100-151	--,-- €
Bonded washer gasket G1/4"	HR701-012	--,-- €



DESCRIPTION	CODE	PRICE
Filter connection G1/4" for tube ϕ 6mm with check valve (without washer)	PA100-149	--,-- €
Bonded washer gasket G1/4"	HR701-012	--,-- €



DESCRIPTION	CODE	PRICE
Filter connection G1/4" for tube ϕ 8mm (without washer)	PA100-152	--,-- €
Bonded washer gasket G1/4"	HR701-012	--,-- €



DESCRIPTION	CODE	PRICE
Filter connection G1/4" for tube ϕ 8mm with check valve (without washer)	PA100-150	--,-- €
Bonded washer gasket G1/4"	HR701-012	--,-- €



DESCRIPTION	CODE	PRICE
Drain valve G1/4"	AT140-100	--,-- €



DESCRIPTION	CODE	PRICE
Closure plug G1/4"	HR176-002	--,-- €

AUTOMATIC DRAIN SYSTEM

The **NARDI COMPRESSORI** condensation drain system is the most efficient device on the market. Its small dimensions make its installation very simple. Inside this drain system you can find the **NARDI SLOW FLOW SYSTEM**, a series of **PATENTED** components which reduce the waste of compressed gases during discharge to the minimum, with a very low depressurization of the whole system. Compared to traditional condensation drains, the **NARDI AUTOMATIC DRAIN SYSTEM** needs no gas separators from oil and water, because condensation runs directly into the liquid collection container. There is no need for extra components to be installed in the compressor, and at the same time it reduces the loss of compressed air or gas by 80%.



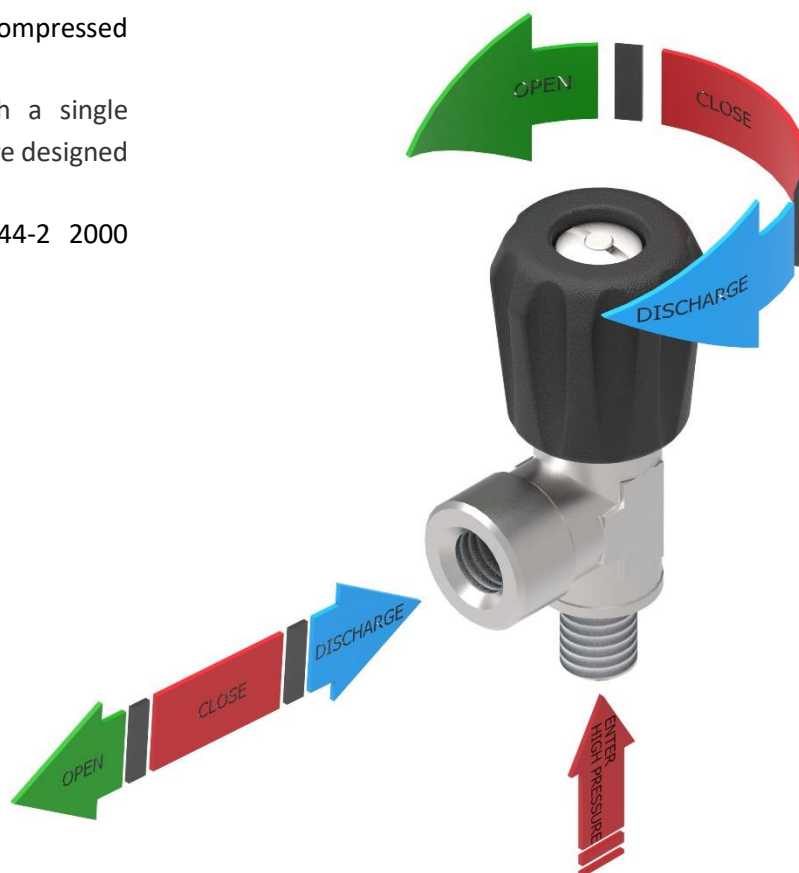
DESCRIPTION	CODE	PRICE
AUTOMATIC CONDENSATE DRAIN for compressor PACIFIC 16 – 23 – 27 – 30 electric version with tube for connection to separator (for models with electronic control)	PA105-011	--,-- €
AUTOMATIC CONDENSATE DRAIN for compressor PACIFIC 16 – 23 – 27 – 30 GASOLINE and DIESEL version with timer 12V with tube for connection to separator	PA105-012	--,-- €
AUTOMATIC CONDENSATE DRAIN for compressor PACIFIC 16 – 23 – 27 – 30 with timer 220V with cable for single phase, with tube for connection to separator	PA105-013	--,-- €
AUTOMATIC CONDENSATE DRAIN for compressor PACIFIC 35 electric version with tube for connection to separator (for models with electronic control)	PA105-015	--,-- €
AUTOMATIC CONDENSATE DRAIN for compressor PACIFIC 35 GASOLINE and DIESEL version with timer 12V, with tube for connection to separator	PA105-016	--,-- €
AUTOMATIC CONDENSATE DRAIN for compressor PACIFIC 35 with timer 220V, with cable for single phase, with tube for connection to separator	PA105-017	--,-- €
AUTOMATIC CONDENSATE DRAIN for compressor PACIFIC 48 – 60 electric version with tube for connection to separator (for models with electronic control)	PA105-020	--,-- €
AUTOMATIC CONDENSATE DRAIN for compressor PACIFIC 68 – 85 electric version with tube for connection to separator (for models with electronic control)	PA105-025	--,-- €

HAND WHEEL VALVES

The hand-wheel valve is used for the filling of compressed air bottles with hoses.

The valves open, close and discharge with a single operation, by turning a single knob and they are designed for mobile use.

The valves are in conformity with UNI 144-2 2000 standards for filling breathing air.



DESCRIPTION	CODE	PRICE
Hand wheel valve G1/4" (max 250 BAR)	PA112-100	--,-- €



DESCRIPTION	CODE	PRICE
Hand wheel valve with manometer G1/4" (max 250 BAR)	PA112-205	--,-- €

FILLING VALVES



HAND WHEEL VALVES



DESCRIPTION	CODE	PRICE
Hand wheel valve DIN 200 (max 250 BAR)	PA112-110	--,-- €



DESCRIPTION	CODE	PRICE
Hand wheel valve DIN 200 with manometer (max 250 BAR)	PA112-215	--,-- €



DESCRIPTION	CODE	PRICE
Hand wheel valve DIN 200 with safety flow stop (max 250 BAR)	PA112-111	--,-- €



DESCRIPTION	CODE	PRICE
Hand wheel valve DIN 200 with manometer flow stop (max 250 BAR)	PA112-216	--,-- €



DESCRIPTION	CODE	PRICE
Hand wheel valve DIN 200 + INT 200 (YOKE) (max 250 BAR)	PA112-115	--,-- €



DESCRIPTION	CODE	PRICE
Hand wheel valve DIN 200 with manometer + INT 200 (YOKE)	PA112-220	--,-- €

MADE IN ITALY BY NARDI COMPRESSORI

HAND WHEEL VALVES



DESCRIPTION	CODE	PRICE
Hand wheel valve INT 200 (max 250 BAR)	PA112-105	--,-- €



DESCRIPTION	CODE	PRICE
Hand wheel valve with manometer INT 200 (YOKE) (max 250 BAR)	PA112-210	--,-- €



DESCRIPTION	CODE	PRICE
Hand wheel valve with over pressure valve G1/4'' (max 250 BAR)	PA112-204	--,-- €



DESCRIPTION	CODE	PRICE
Hand wheel valve with DIN 200 with over pressure valve G1/4'' (max 250 BAR)	PA112-214	--,-- €



DESCRIPTION	CODE	PRICE
Hand wheel valve DIN 200 with over pressure valve and flow stop	PA112-217	--,-- €



DESCRIPTION	CODE	PRICE
Hand wheel valve DIN 200 with over pressure valve + INT 200 (YOKE)	PA112-219	--,-- €

FILLING VALVES



HAND WHEEL VALVES



DESCRIPTION	CODE	PRICE
Hand wheel valve with over pressure valve INT 200 (YOKE) (max 250 BAR)	PA112-209	--,-- €



DESCRIPTION	CODE	PRICE
Reduction from DIN 200 to INT 200 (YOKE)	PA112-109	--,-- €



DESCRIPTION	CODE	PRICE
Hand wheel valve G1/4'' (max 350 BAR)	PA112-101	--,-- €



DESCRIPTION	CODE	PRICE
Hand wheel valve with manometer G1/4'' (max 350 BAR)	PA112-206	--,-- €



DESCRIPTION	CODE	PRICE
Hand wheel valve DIN 300 (max 350 BAR)	PA112-120	--,-- €



DESCRIPTION	CODE	PRICE
Hand wheel valve DIN 300 with manometer (max 350 BAR)	PA112-225	--,-- €

MADE IN ITALY BY NARDI COMPRESSORI

HAND WHEEL VALVES



DESCRIPTION	CODE	PRICE
Hand wheel valve DIN 300 with safety flow stop (max 350 BAR)	PA112-121	--,-- €



DESCRIPTION	CODE	PRICE
Hand wheel valve with manometer DIN 300 flow stop (max 350 BAR)	PA112-226	--,-- €



DESCRIPTION	CODE	PRICE
Hand wheel valve G1/4" (max 250 BAR) NITROX	PA112-300	--,-- €



DESCRIPTION	CODE	PRICE
Hand wheel valve with manometer G1/4" (max 350 BAR) NITROX	PA112-305	--,-- €



DESCRIPTION	CODE	PRICE
Hand wheel valve DIN 200 (max 250 BAR) NITROX	PA112-310	--,-- €

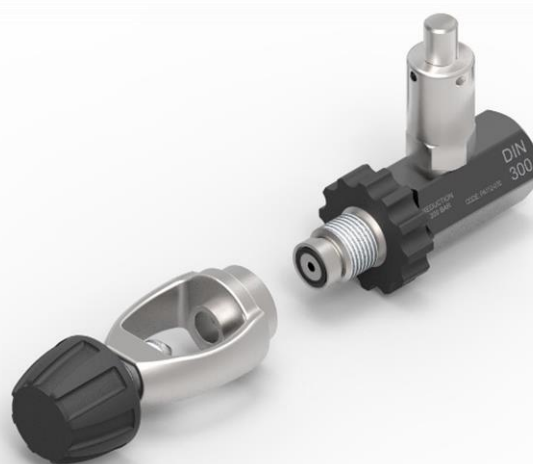


DESCRIPTION	CODE	PRICE
Hand wheel valve with manometer DIN 200 (max 250 BAR) NITROX	PA112-316	--,-- €

REDUCTION VALVES



DESCRIPTION	CODE	PRICE
Reduction with over pressure valve from DIN 300 to DIN 200	PA112-070	--,-- €



DESCRIPTION	CODE	PRICE
Reduction with over pressure valve from DIN 300 to DIN 200 + INT 200	PA112-071	--,-- €



DESCRIPTION	CODE	PRICE
Reduction with over pressure valve from DIN 300 to INT 200 (YOKE)	PA112-072	--,-- €

FILLING PANEL VALVES - Stainless Steel

This STAINLESS STEEL robust lever valve is manufactured for the filling of compressed air bottles. The valves open, close and discharge with a single operation of the lever. These valves are designed to be assembled on filling panels and are recommended for frequent filling of bottles.



DESCRIPTION	CODE	PRICE
Lever valve G3/8" Female (max 350 BAR)	PA112-530	--,-- €

DESCRIPTION	CODE	PRICE
Lever valve G1/4" Male (max 350 BAR)	PA112-535	--,-- €

FILLING PANEL VALVES



DESCRIPTION	CODE	PRICE
Lever valve DIN 200 with safety flow stop (max 250 BAR)	PA112-542	--,-- €



DESCRIPTION	CODE	PRICE
Lever valve DIN 300 safety flow stop (max 350 BAR)	PA112-552	--,-- €



DESCRIPTION	CODE	PRICE
Lever valve 1m hose DIN 200 safety flow stop (max 250 BAR)	PA112-541	--,-- €



DESCRIPTION	CODE	PRICE
Lever valve 1m hose DIN 300 safety flow stop (max 350 BAR)	PA112-551	--,-- €

LEVER VALVES



DESCRIPTION	CODE	PRICE
Lever valve DIN 200 with safety flow stop (max 250 BAR)	PA112-642	--,-- €



DESCRIPTION	CODE	PRICE
Lever valve DIN 300 with safety flow stop (max 350 BAR)	PA112-652	--,-- €

MAINTENANCE KIT for FILLING VALVES



DESCRIPTION	CODE	PRICE
Full Maintenance kit FOR ALL FILLING VALVE MODELS	PA112-905	--,-- €



DESCRIPTION	CODE	PRICE
Seals maintenance kit FOR ALL FILLING VALVE MODELS	PA112-906	--,-- €

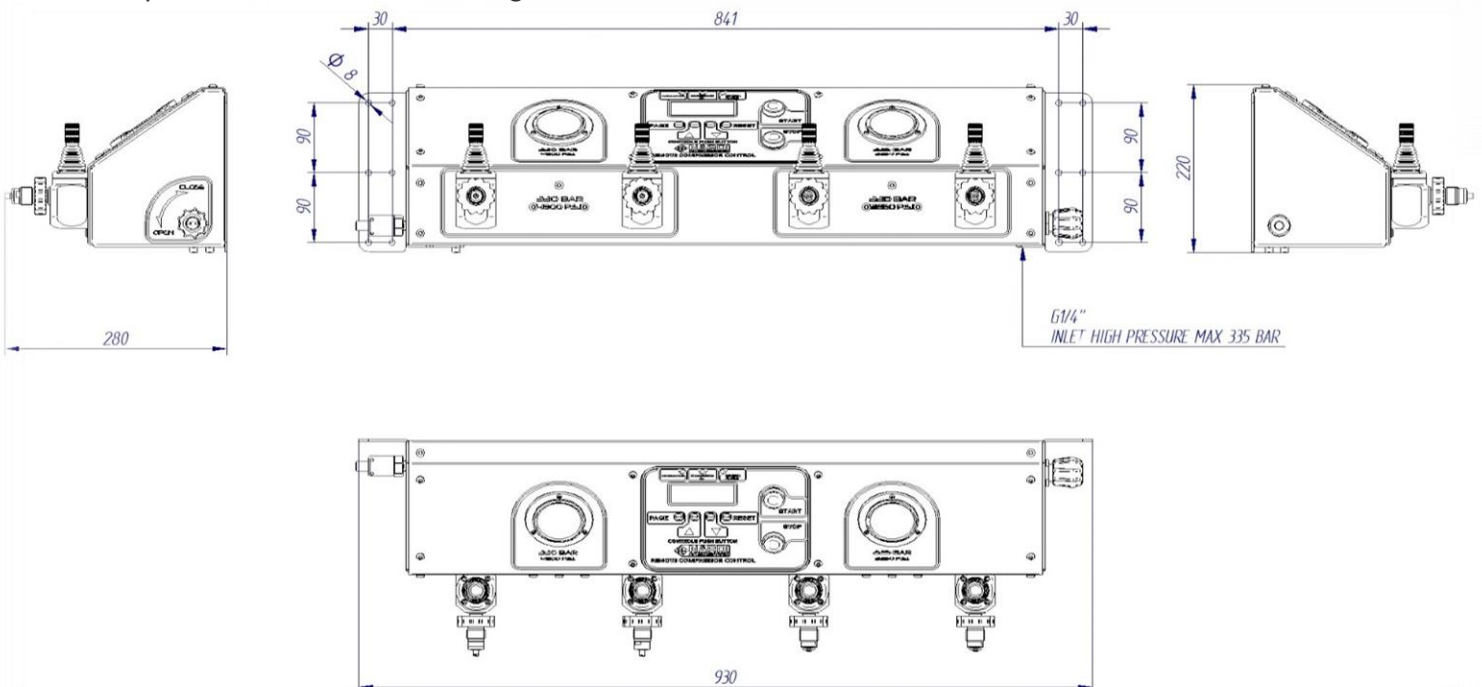
FILLING PANELS

FILLING PANELS

Filling Panels by **NARDI COMPRESSORI** are completely stainless steel coated and they have four (4) filling connections. These can be supplied for fills in 200BAR, 300BAR or both pressures. The installation of an integrated pressure reducer allows simultaneous fills in dual pressure. The **NARDI COMPRESSORI FITTINGS** can sustain bottles, connected directly to the valves, with a weight up to max 15kg.

Filling panels can be installed in environments with temperatures between -5°C and + 45°C. The Filling Panel can be positioned in a separate room away from the compressor. If a remote controller is installed it can communicate with the compressor and obtain all the information directly on the controller. Therefore, users can turn ON and switch OFF the compressor, check pressures and temperatures and filter status directly from remote controller.

All valves on the **NARDI COMPRESSORI FILLING PANELS** are equipped with a safety device which allows airflow only if the valve is correctly connected to the bottle fittings.



FILLING PANELS



DESCRIPTION	CODE	PRICE
Filling panel with 4 outlets PN 200 bar	PA118-005	--,-- €



DESCRIPTION	CODE	PRICE
Filling panel with 4 outlets PN 300 bar	PA118-010	--,-- €



DESCRIPTION	CODE	PRICE
Filling panel with 2 outlets PN 200 bar + 2 outlets PN 300 bar	PA118-015	--,-- €



DESCRIPTION	CODE	PRICE
Filling panel with 4 outlets PN 200 bar with compressor remote controller	PA118-055	--,-- €



DESCRIPTION	CODE	PRICE
Filling panel with 4 outlets PN 300 bar with compressor remote controller	PA118-060	--,-- €



DESCRIPTION	CODE	PRICE
Filling panel with 2 outlets PN 200 bar + 2 outlets PN300 with remote controller	PA118-065	--,-- €

FILLING PANELS



FILLING PANELS



DESCRIPTION	CODE	PRICE
Filling panel with 4-levers DIN 200	PA118-106	--,-- €



DESCRIPTION	CODE	PRICE
Filling panel with 4-levers DIN 300	PA118-111	--,-- €



DESCRIPTION	CODE	PRICE
Filling panel with 2-levers DIN 200 + 2-levers DIN 300	PA118-116	--,-- €



DESCRIPTION	CODE	PRICE
Filling panel with 4- levers DIN 200 with compressor remote controller	PA118-156	--,-- €



DESCRIPTION	CODE	PRICE
Filling panel with 4- levers DIN 300 with compressor remote controller	PA118-161	--,-- €



DESCRIPTION	CODE	PRICE
Filling panel with 2-levers DIN 200 + 2 levers DIN 300 with compressor remote controller	PA118-166	--,-- €

MADE IN ITALY BY NARDI COMPRESSORI

FILLING PANELS



DESCRIPTION	CODE	PRICE
Filling panel with 4-levers for hoses PN200 bar	PA118-211	--,-- €



DESCRIPTION	CODE	PRICE
Filling panel with 4-levers for hoses PN300 bar	PA118-215	--,-- €



DESCRIPTION	CODE	PRICE
Filling panel with 2-levers PN200 bar + 2-levers PN300 bar for hoses	PA118-256	--,-- €



DESCRIPTION	CODE	PRICE
Filling panel with 4-levers PN200 bar for hoses with remote controller	PA118-260	--,-- €



DESCRIPTION	CODE	PRICE
Filling panel with 4-levers PN300 bar for hoses with remote controller	PA118-261	--,-- €



DESCRIPTION	CODE	PRICE
Filling panel with 2-levers PN200 bar + 2-levers PN300 bar with remote controller	PA118-265	--,-- €

HOSES & HAND WHEEL VALVES



DESCRIPTION	CODE	PRICE
Hose 1m 1/4"G	PA113-100	--,-- €



DESCRIPTION	CODE	PRICE
Hose 1m 1/4"G	PA113-110	--,-- €



DESCRIPTION	CODE	PRICE
DIN 200 with flow stop for hoses	PA112-600	--,-- €



DESCRIPTION	CODE	PRICE
DIN 300 with flow stop for hoses	PA112-601	--,-- €

SAFETY VALVES



DESCRIPTION	CODE	PRICE
SAFETY VALVE V ₁ - PED 2014/68/UE - From 70 to 160 Bar / From 1000 to 2350 psi	PA110-101	--,-- €
SAFETY VALVE V ₂ - PED 2014/68/UE - From 160 to 250 Bar / From 2350 to 3600 psi	PA110-102	--,-- €
SAFETY VALVE V ₃ - PED 2014/68/UE - From 250 to 365 Bar / From 3600 to 5300 psi	PA110-103	--,-- €
SAFETY VALVE V ₄ - PED 2014/68/UE - From 365 to 425 Bar / From 5300 to 6000 psi	PA110-104	--,-- €

DESCRIPTION	CODE	PRICE
CONVEYED SAFETY VALVE V ₁ - PED 2014/68/UE - From 70 to 160 Bar / From 1000 to 2350 psi	PA110-111	--,-- €
CONVEYED SAFETY VALVE V ₂ - PED 2014/68/UE - From 160 to 250 Bar / From 2350 to 3600 psi	PA110-112	--,-- €
CONVEYED SAFETY VALVE V ₃ - PED 2014/68/UE - From 250 to 365 Bar / From 3600 to 5300 psi	PA110-113	--,-- €

WHEN ORDERING SAFETY VALVES KINDLY SPECIFY PRESSURE SETTINGS

MADE IN ITALY BY NARDI COMPRESSORI

REMOTE AIR CONTROL SYSTEM

The **NARDI AIR CONTROL SYSTEM** is a versatile digital device to monitor air quality and to safeguard and protect human lives. This apparatus has been designed for a continuous monitoring of gases in the environment, in hyperbaric chambers and other medical applications or working fields.

Sensors installed:

- Oxygen
- Carbon Monoxide
- Carbon Dioxide
- Humidity
- Temperature of gases
- VOC (upon request)

The AIR CONTROL SYSTEM is a full digital Analyzer with a colored screen:

displays volume percentage of Oxygen in the environment 0,0 – 100%. Resolution 0,1%.

Long life electrochemical sensor.

Wide measuring scale for concentration of Carbon dioxide (from 0-500ppm 0-0.05% to 0-100%). Resolution 20 ppm.

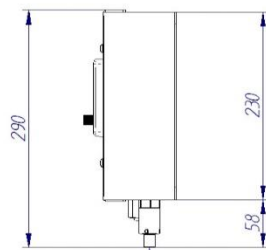
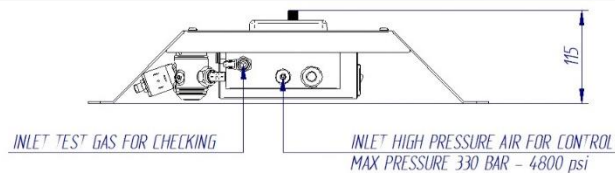
Concentration of Carbon monoxide in the environment 0-50 ppm or 0-300 ppm; Resolution 1 ppm. Long life electrochemical sensor.

Humidity reading of RH in the environment 0,0 – 99,9% and absolute humidity in mg/m3 or PPM. New generation captive sensor.

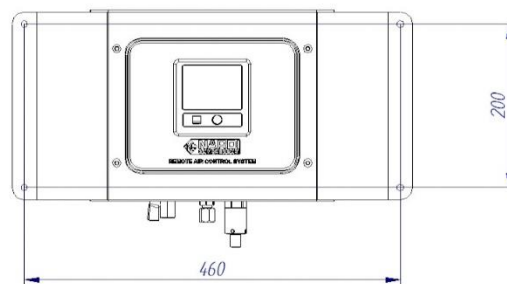
Measures gas temperatures in the environment $-20 +80^{\circ}\text{C}$.

Monitors the state of the sensors installed.

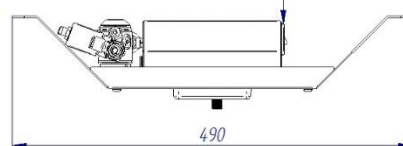
VOC measures Oil Vapor Concentration; Resolution 1 ppm.



Safety valve 330 bar - 4800 psi



POWER Connector 100-240 Volt 50-60 hz



REMOTE AIR CONTROL SYSTEM



DESCRIPTION OF ACCESSORIES	CODE	PRICE
NARDI REMOTE AIR CONTROL SYSTEM O2, CO, CO2, HU	PA111-510	--,-- €
NARDI REMOTE AIR CONTROL SYSTEM O2, CO, CO2, HU + VOC	PA111-515	--,-- €

DESCRIPTION OF ACCESSORIES	LIFETIME	CODE	PRICE
OXYGEN Sensor	2 YEARS	PA111-032	--,-- €
CO Sensor	4 YEARS	PA111-302	--,-- €
CO ₂ Sensor	5 YEARS	PA111-310	--,-- €
H ₂ O Sensor	5 YEARS	PA111-307	--,-- €

REMOTE CONTROLLER

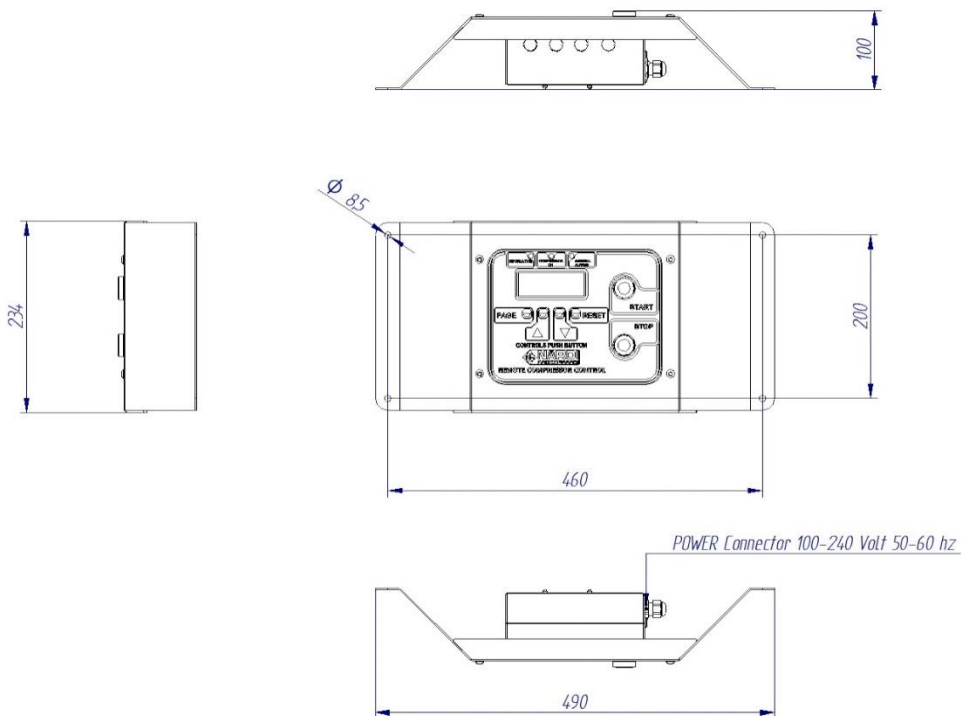
COMPRESSOR REMOTE CONTROLLER

This brand new **Remote Controller** was designed for customers who need to control the work of their compressor from a distance.

(Max distance allowed 50mt)

The **REMOTE COMPRESSOR CONTROL** device is a clone of the Automatic Control System installed on NARDI compressors, this means that operators can perform all settings and filling applications they normally do directly from their compressor through the remote version installed in a different location.

NARDI COMPRESSORI also designed and manufactured a special frame of the same color and material of its silenced compressor walls to have an elegant and uniform look and for a major safeguard of the controller.



COMPRESSOR REMOTE CONTROLLER



DESCRIPTION	CODE	PRICE
-------------	------	-------

NARDI REMOTE CONTROLLER complete	PA116-770	--,-- €
----------------------------------	-----------	---------

DESCRIPTION ACCESSORIES	CODE	PRICE
-------------------------	------	-------

CABLE for connecting remote controller to compressor	PA118-999	--,-- €/M
--	-----------	-----------

PRECISION of DUCTING PIPES



All pipes supplied by NARDI COMPRESSORI are in stainless steel for a higher resistance against corrosion. The pressures indicated in the chart below correspond to a use of less than 120°C and over -10°C. For calculations of ducting installations, below are guidelines indicating an airflow inside ducting of 6-15 m/s. All different pipes are supplied in a standard length of 6 meters.

DESCRIPTION	WORKING PRESSURE	CODE	PRICE/mt
Pipe tube diam. 6 mm thickness 1 mm	380 bar / 5500 psi	VT106-010	--,-- €/mt
Pipe tube diam. 8 mm thickness 1 mm	287 bar / 4150 psi	VT108-010	--,-- €/mt
Pipe tube diam. 8 mm thickness 1,5 mm	466 bar / 6750 psi	VT108-015	--,-- €/mt
Pipe tube diam. 12 mm thickness 1 mm	191 bar / 2770 psi	VT112-010	--,-- €/mt
Pipe tube diam. 12 mm thickness 1,5 mm	315 bar / 4570 psi	VT112-015	--,-- €/mt
Pipe tube diam. 15 mm thickness 1 mm	150 bar / 2170 psi	VT115-010	--,-- €/mt
Pipe tube diam. 18 mm thickness 1 mm	127 bar / 1840 psi	VT118-010	--,-- €/mt

AUTOMATIC SELECTOR BY-PASS

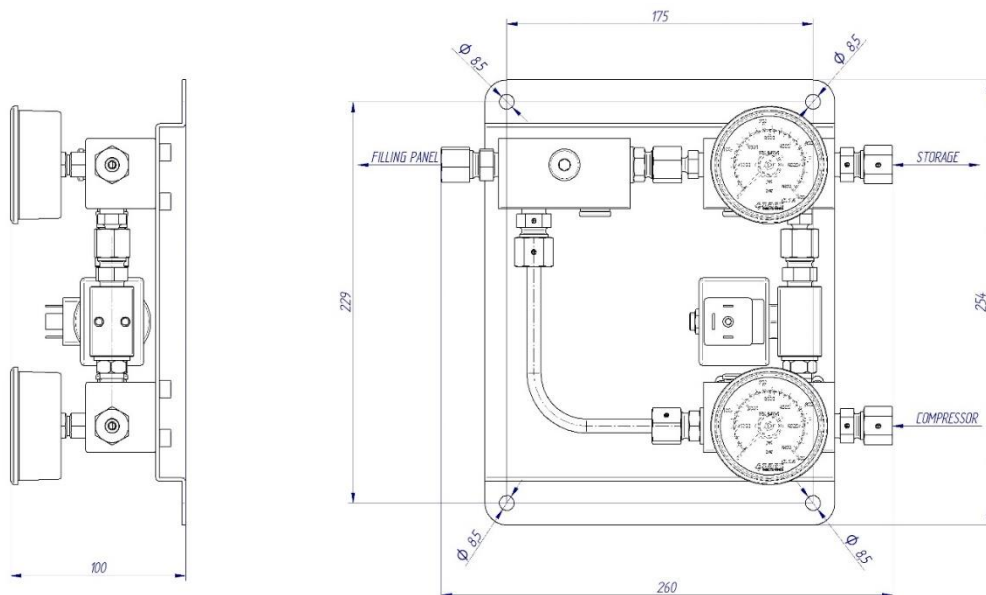
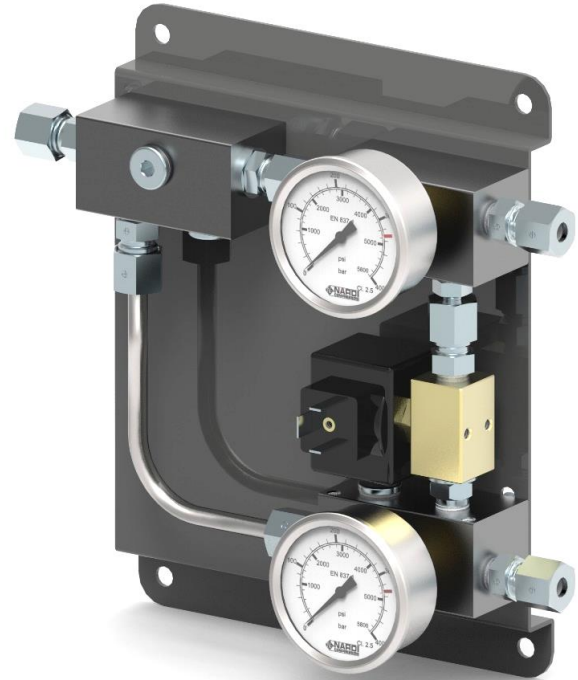
This is a very important device designed to speed up the filling procedure of bottles on a filling panel.

The **AUTOMATIC SELECTOR BY-PASS** is installed between the compressor, the storage and the filling panel. Once the operator starts taking air from the storage by opening the valves on the filling panel, the compressor turns ON automatically and sends air into the filling panel. If, the pressure between the filling panel and the storage are equal, the **BY-PASS** device will stop airflow from storage and all the air compressed by the compressor will be directed into the filling panel.

When the bottles connected to the filling panel will reach maximum pressure (fully charged) the **By-Pass** selector will keep the compressor running and diverts the compressed air into the storage tanks automatically maintaining everything in pressure.

Maximum working pressure 450 BAR, connecting fittings diam.

8mm, compressor accessories with electronic commands.



DESCRIPTION	CODE	PRICE
AUTOMATIC SELECTOR BY-PASS for compressors with Electronic Controls	PA011-049	--,-- €
AUTOMATIC SELECTOR BY-PASS for compressors with Electronic Controls – ATEX CERTIFIED ZONE II	PA011-050	--,-- €

REFRIGERATION DRYER



CHILLER

The **Refrigerated Dryer** by **NARDI COMPRESSORI** is a significant accessory to improve the efficiency of the air filtering process.

This dryer, which is positioned between the filtering system and the compressor, works at a maximum pressure of 350 BAR, it refrigerates air at a temperature of 3°C and condensates water vapor. Such air treatment dehydrates the air going into the filtering system and the lifetime of cartridges would increase considerably (between 3 to 10 times), depending on the dimensions of the compressor and the environment working temperature.

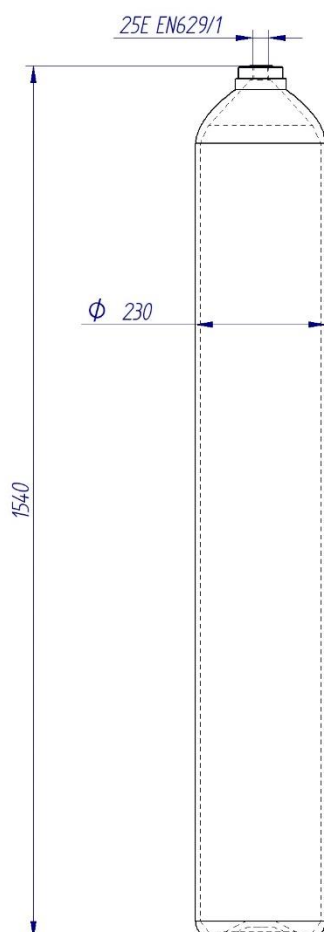
By installing a **NARDI COMPRESSORI Refrigerated DRYER** you will not only protect the environment but most importantly you will reduce your maintenance costs.



DESCRIPTION	CODE	PRICE
Refrigeration Dryer High Pressure up to 350 bar / 5100 psi	PA119-510	--,-- €
Refrigeration Dryer High Pressure up to 425 bar / 6000 psi	PA119-505	--,-- €

MADE IN ITALY BY NARDI COMPRESSORI

SINGLE BOTTLE



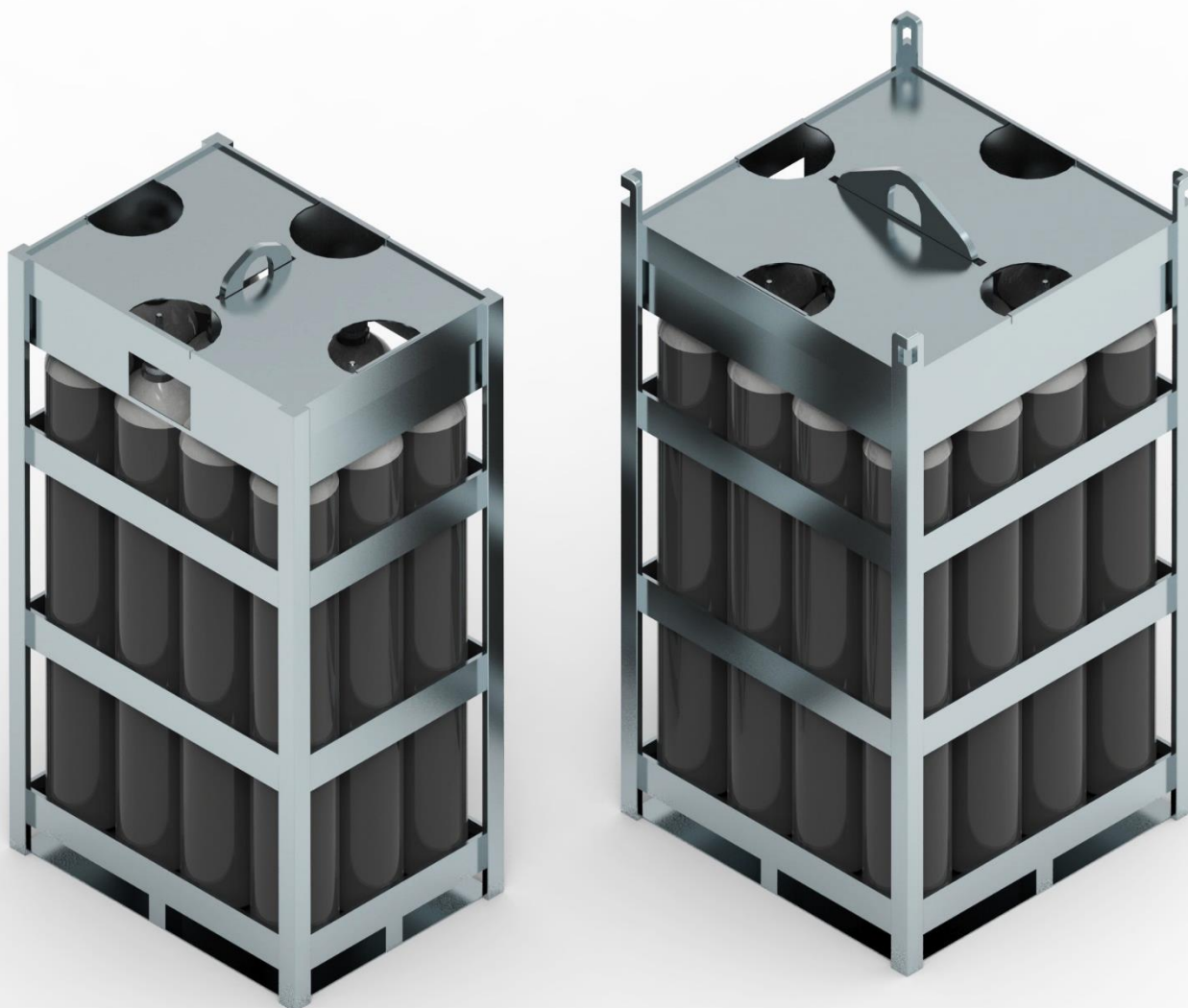
DESCRIPTION	WORKING PRESSURE	CODE	PRICE
BOTTLE 50L. 300 BAR	300 bar / 4350 psi	PA011-002	--,- €
BOTTLE 50L. 350 BAR	350 bar / 5100 psi	PA011-003	--,- €
BOTTLE 50L. 500 BAR	500 bar / 7250 psi	PA011-005	--,- €

STORAGE FOR PACIFIC M and MX



DESCRIPTION	WORKING PRESSURE	CODE	PRICE
STOCK FOR PACIFIC M 2 BOTTLES 50L.	300 bar / 4350 psi	PA011-008	--,- €
STOCK FOR PACIFIC MX 2 BOTTLES 50L.	300 bar / 4350 psi	PA011-009	--,- €

CYLINDER PACKS



DESCRIPTION	WORKING PRESSURE	CODE	PRICE
CYLINDER PACK 12 BOTTLES	300 bar / 4350 psi	PA011-010	--,- €
CYLINDER PACK 16 BOTTLES	300 bar / 4350 psi	PA011-013	--,- €

ACCESSORIES FOR STORAGE PACKS



DESCRIPTION	CODE	PRICE
Connection W30x2 ISO 5145/CEN3	PA119-0170	--,-- €



DESCRIPTION	CODE	PRICE
Reduction 25E x 1/4"G 350 BAR	PA005-013	--,-- €



DESCRIPTION	CODE	PRICE
Manifold G1/4" 350 BAR	PA112-099	--,-- €



DESCRIPTION	CODE	PRICE
Connection G1/4" 350 BAR	HR352-002	--,-- €



DESCRIPTION	CODE	PRICE
Connection G1/4" 350 BAR	HR350-002	--,-- €



DESCRIPTION	CODE	PRICE
Connection G1/4" 350 BAR	HR346-002	--,-- €

REDUCER



DESCRIPTION	CODE	PRICE
REDUCER 1/4" G MAX IN 425 BAR OUT FROM 50 TO 425 – MAX FLOW RATE 60 m ³ /h	PA115-101	--,-- €



DESCRIPTION	CODE	PRICE
REDUCER N ₂ MAX IN 300 BAR OUT FROM 0 TO 20 BAR – MAX FLOW RATE 20 m ³ /h	PA111-203-20	--,-- €
REDUCER N ₂ MAX IN 300 BAR OUT FROM 0 TO 40 BAR – MAX FLOW RATE 40 m ³ /h	PA111-203-40	--,-- €
REDUCER N ₂ MAX IN 300 BAR OUT FROM 0 TO 60 BAR – MAX FLOW RATE 150 m ³ /h	PA111-203	--,-- €



DESCRIPTION	CODE	PRICE
REDUCER N ₂ MAX IN 300 BAR OUT FROM 0 TO 40 BAR – MAX FLOW RATE 500 m ³ /h	PA115-102	--,-- €



DESCRIPTION	CODE	PRICE
Manometer diam. 63 / connection bottom / 0-300 Bar	PA112-029	--,-- €
Manometer diam. 63 / connection bottom / 0-400 Bar	PA112-030	--,-- €
Manometer diam. 63 / connection rear / 0-300 Bar / Glycerine	PA112-050	--,-- €
Manometer diam. 63 / connection rear / flange / 0-16 Bar	PA112-080	--,-- €
Manometer diam. 63 / connection rear / flange / 0-40 Bar	PA112-082	--,-- €
Manometer diam. 63 / connection rear / flange / 0-100 Bar	PA112-084	--,-- €
Manometer diam. 63 / connection rear / flange / 0-400 Bar	PA112-040	--,-- €
Manometer diam. 63 / connection rear / flange / 0-600 Bar Glycerine	PA112-055	--,-- €

MIXER FOR NITROX and TRIMIX



Top of the world **Mixer**, the only device with a unique and totally autonomous system. The **NARDI COMPRESSORI TT-MIX PRO** is an assurance of work-in-safety with a very precise mixing control of oxygen among other benefits, such as:

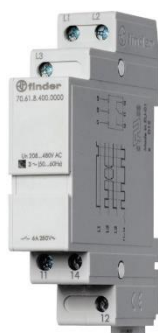
- Automatic blending: no need of operators during blending, the TT-MIX can work on its own.
- Value of mix: it calculates automatically the m³ of gas being utilized and will give you final price of mix.
- Precision: by installing two electronic reducers it will be even easier to connect the **MIXER** to the oxygen and helium bottles (setting of pressure regulators at 9 BAR)



DESCRIPTION	CODE	PRICE
TT-MIX PRO	PA111-102	--,-- €

ACCESSORIES FOR MIXER

DESCRIPTION	CODE	PRICE
Kit for Hooking up TT-MIX PRO (EU version) The kit includes: oxygen regulator, helium regulator, outlet connections for mixer, inlet connection for compressor, tube and clamps	PA111-218	--,-- €
Kit for Hooking up TT-MIX PRO (US version) The kit includes: outlet connections for mixer, inlet connection for compressor, tube and clamps	PA111-219	--,-- €



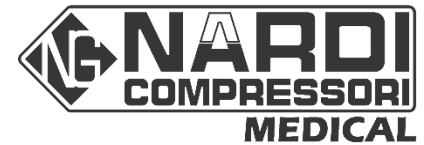
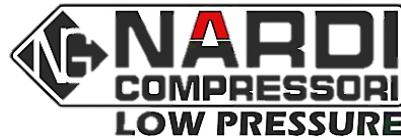
DESCRIPTION	CODE	PRICE
Relay	PA111-215	--,-- €

DESCRIPTION	CODE	PRICE
OXYGEN Sensor	PA111-030	--,-- €

LUBRICATING OIL LIST



DESCRIPTION	TANK	CODE	PRICE
SYNTHETIC OIL FOR BREATHING AIR PACIFIC COMPRESSORS	1 liter	OIL01-025-01	--,-- €
SYNTHETIC OIL FOR BREATHING AIR PACIFIC COMPRESSORS	5 liters	OIL01-025-05	--,-- €
SYNTHETIC OIL FOR BREATHING AIR ATLANTIC COMPRESSORS	1 liter	OIL01-030-01	--,-- €
SYNTHETIC OIL FOR BREATHING AIR ATLANTIC COMPRESSORS	5 liters	OIL01-030-05	--,-- €
SYNTHETIC OIL FOR HIGH PRESSURE INDUSTRIAL GAS	1 liter	OIL01-001	--,-- €
SYNTHETIC OIL FOR HIGH PRESSURE INDUSTRIAL GAS	5 liters	OIL01-005	--,-- €
MINERAL OIL FOR DIESEL AND GASOLINE ENGINES	1 liter	OIL15-000-01	--,-- €
MINERAL OIL FOR DIESEL AND GASOLINE ENGINES	5 liters	OIL15-000-05	--,-- €



Two complete lines of oil-less compressors available with maximum working pressure of 8-10Bar, 15 bar, 21 bar, up to a maximum of 30 Bar. These compressors have different tank-capacity up to a maximum of 500lt. Power includes 1-phase and 3-phase AC electric motors, DC electric motors (battery) as well as gasoline engines.



High Pressure compressors up to 420 Bar for the filling of cylinders for breathing air, used often for scuba diving and by fire stations for fire and rescue operations as well as for military applications.



High Pressure compressors and Boosters up to 420 Bar. Technical gas compressors with high degree of purity for industrial use, the range is completed by the supply of High-Pressure cylinders for storage in different capacities and configurations.



High Pressure compressors for refueling of natural gas vehicles. Compressors in this line have been designed for Industrial and domestic use, creating simple and economic small refueling stations for private utility using gas supplied by network lines.





Nardi Compressori Srl
Via Marco Polo, 2 36075
Montecchio Maggiore (VICENZA) ITALY
Tel. +39.0444.159111 - 497514 - 694885
Fax. +39.0444.159122
Mail. info@nardicompressori.com



www.nardicompressori.com



www.facebook.com/nardicompressorisrl/



[nardi compressori](https://twitter.com/nardi_compressori)



[+39 340 874 3122](https://wa.me/393408743122)